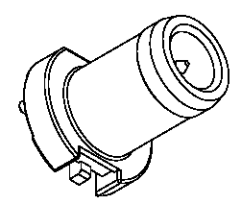
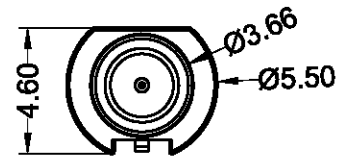


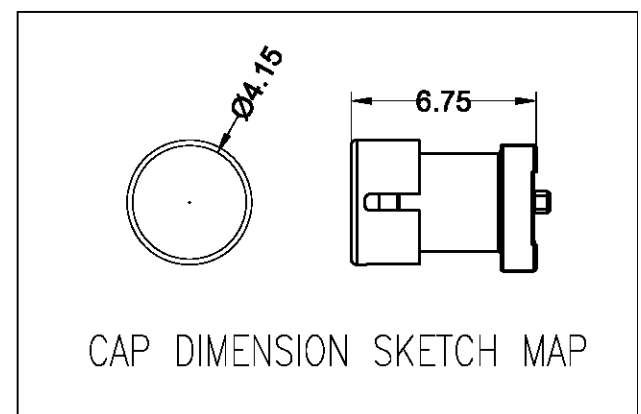
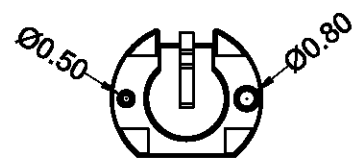
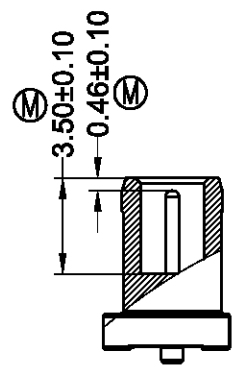
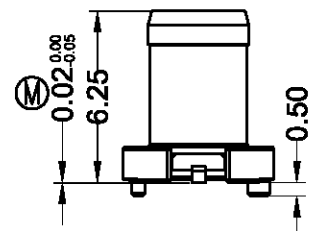
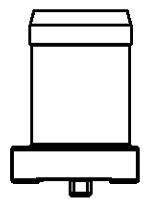
| Version | Description of Change | Date | Drawn by |
|---------|-----------------------|------------|----------|
| A0 | NEW | 2019.10.11 | Miki |



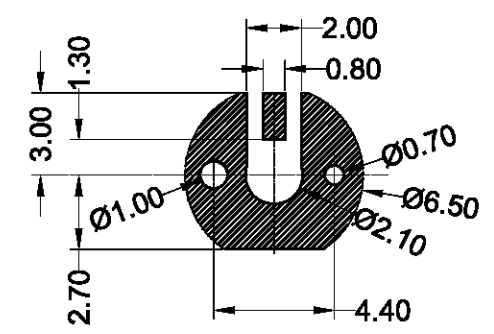
3D View



Notes:
 Insulation Resistance:1000MΩ Min.
 Dielectric Withstanding Voltage:500V DC
 Contact Resistance:10mΩ Max.
 Mating force:30N Max.
 Un-mating force:5N-25N.
 Contact Retention Force(without lock):5N Min.
 Operating Temperature:-40°C to +100°C
 Materials:
 Terminal :Copper alloy;
 Housing:High Temperature Thermoplastic,
 UL94V-0, Color: See Part Number
 " Ⓜ "important size, " ★ "Special characteristic size.



CAP DIMENSION SKETCH MAP



PCB LAYOUT(REF)

| | | |
|--------------------------|-----------------|--------------|
| Part number (料号) | Version (版本) | Date (日期) |
| A-M4013-1-1 | A0 | 2019.10.11 |
| Title (名称) | | |
| 立式SMB 板端 product Drawing | | |

| | |
|---|--|
| UNIT:mm | |
| Tolerance: .XXX ±0.05 .XX ±0.10 .X ±0.15 | Angular Dim. .XX° ±1° .X° ±2° .X° ±3° |



东莞市鸿儒连接器有限公司
 Hong Ru Connectors (DG) Co.,Ltd.

| | | | |
|---------------|------------------|----------------------|---------------------|
| SHEET (页面) | Drawn by (制图) | Confirmed by (审核) | Approved by (核准) |
| 1/1 | Tina | Miki | David |