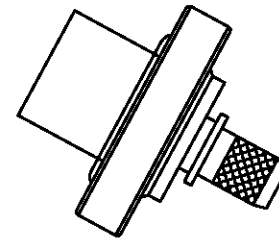
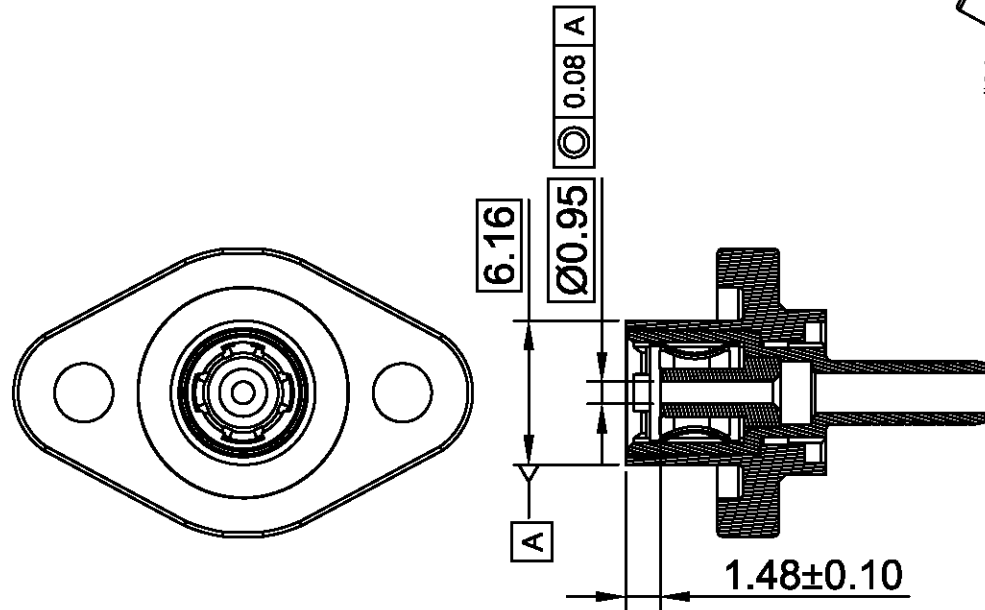


Version	Description of Change	Date	Drawn by
A0	NEW	2019.02.19	王明灯



3D View



Notes:

Insulation Resistance:1000MΩ Min.

Dielectric Withstanding Voltage:500V AC

Contact Resistance:10mΩ Max.

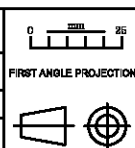
Un-mating force (with lock): 110N Min.

Operating Temperature:-40°C to +105°C

Waterproofing:IP67

⑦	A-P4012-1-2	1	O-RING	Silicone	/	
⑥	A-T4005F-1-4	1	Circular Tube	Brass	/	
⑤	A-T4012-1-3	1	Terminal	Brass	/	
④	A-P4012-1-1	1	Insulator	PTFE	/	
③	A-T4005F-1-2	1	Iron hoop	phosphor copper	/	
②	A-T4012-1-2	1	Zinc alloy	##3#	/	
①	A-T4012-1-1	1	Zinc alloy	##3#		
S/N	HRB P/N	QTY	description	materials	colour	Notes

Part number (料号)	Version (版本)	Date (日期)
A-M4012-1-1	A0	2019.02.19
Title (名称)		
SMB Female Product Drawing		



UNIT:mm	
Tolerance: .XXX ±0.15	Angular Dim. .XX° ±1°
.XX ±0.20	.X° ±2°
X ±0.25	X.° ±3°



东莞市鸿儒连接器有限公司
Hong Ru Connectors (DG) Co.,Ltd.

Drawn by (制图)	Confirmed by (审核)	Approved by (核准)
Tina	Miki	David