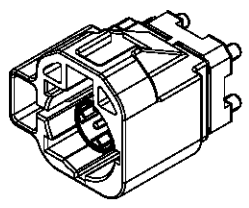
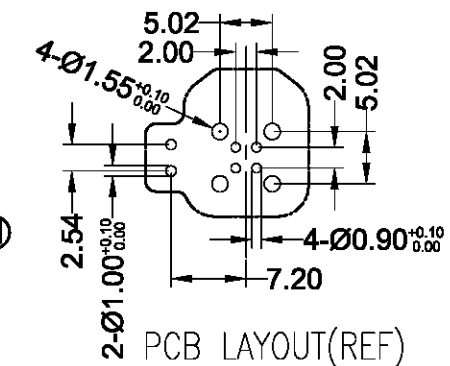
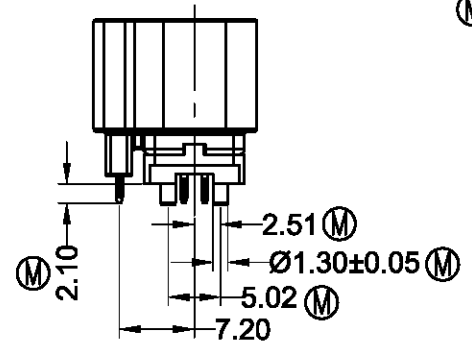
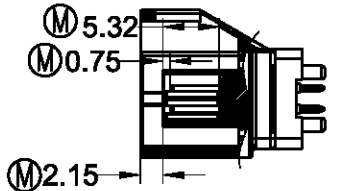
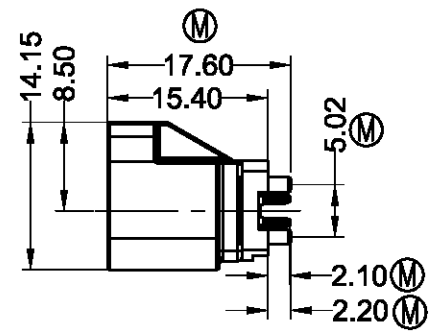
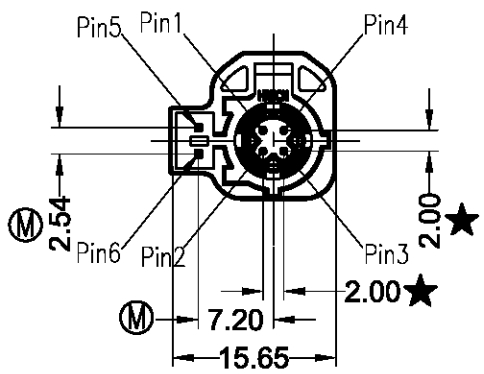


Mylar
MYLAR DIMENSION SKETCH MAP



3D View

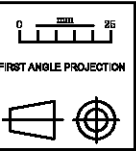
Version	Description of Change	Date	Drawn by
A	NEW	2018.11.16	Miki
A1	修改CAP为Mylar	2020.11.18	Miki



Notes:
 Current Rating:1.5A Max DC, MQS Pins:5A Max DC.
 Voltage Rating:100V.
 Insulation Resistance:1000MΩ Min.
 Dielectric Withstanding Voltage:500V AC
 Contact Resistance:10mΩ Max.
 Contact Retention Force:5N Min.
 Operating Temperature:-40°C to +105°C
 Materials:
 Terminal :Copper alloy;
 Housing:High Temperature Thermoplastic,
 UL94V-0, Color: See Part Number
 "M"important size, "★"Special characteristic size.

序号	1	2	3	4	5	6	7
图视							
类型	A	B	C	D	E	F	Z
颜色	黑色	本色/白	蓝色(RAL5005)	枣红(RAL4004)	绿色(RAL6002)	褐色(RAL8011)	水蓝(RAL5021)
料号	A-M22050-6-A	A-M22050-6-B	A-M22050-6-C	A-M22050-6-D	A-M22050-6-E	A-M22050-6-F	A-M22050-6-Z

Part number (料号)	Version (版本)	Date (日期)
A-M22050	A1	2018.11.16
Title (名称)		
2.0Pitch 4+2pin product Drawing		



UNIT:mm	
Tolerance: .XXX ±0.25 .XX ±0.35 .X ±0.50	Angular Dim. .XX° ±1° .X° ±2° X° ±3°



东莞市鸿儒连接器有限公司
 HongRu Connectors(DG) Co.,Ltd.

SHEET (页面)	Drawn by (制图)	Confirmed by (审核)	Approved by (核准)
1/2	Linda	Miki	David