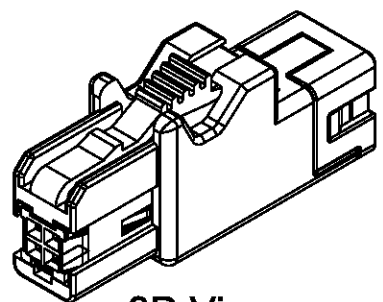
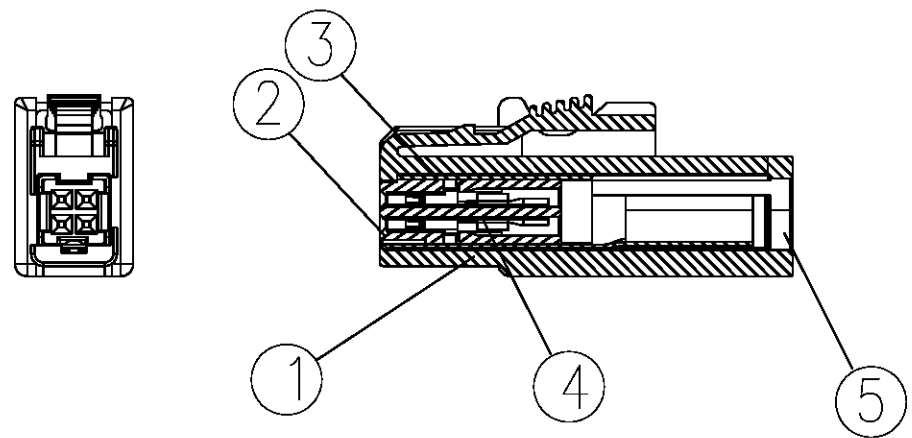


Version	Description of Change	Date	Drawn by
A0	NEW	2019.12.19	Tina



3D View



Notes:
 Current Rating:1.5A.
 Insulation Resistance:1000MΩ Min.
 Dielectric Withstanding Voltage:500V AC
 Contact Resistance:10mΩ Max.
 Un-mating force (with lock): 110N Min.
 Operating Temperature:-40°C to +105°C

NOTE1

序号	1	2	3	4	5	6
图视						
类型	A	B	C	D	E	F
颜色	黑色(RAL9005)	灰色(RAL7031)	白色	褐色(RAL8011)	蓝色(RAL5005)	绿色(RAL6002)
料号	A-M22048-4-A	A-M22048-4-B	A-M22048-4-C	A-M22048-4-D	A-M22048-4-E	A-M22048-4-F

⑤	A-P22048-4-2	1	后塞	PBT	/	
④	A-T22048-4-BL-2	4	端子	C2680	/	
③	A-T22048-4-BL-1	1	SHELL	C2680	/	
②	A-P22048-4-1	1	绝缘体	PBT	/	
①	A-P22048-4-*	1	外壳	PBT	NOTE1	
序号	HRB P/N	QTY	描述	材质	扣位/颜色	备注

Part number (料号)	Version (版本)	Date (日期)	 FIRST ANGLE PROJECTION	UNIT:mm	
A-M22048-4	A0	2019.12.19		Tolerance: .XXX ±0.15 .XX ±0.20 .X ±0.25	Angular Dim. .XX° ±1° .X° ±2° .X° ±3°
Title (名称)				<h1 style="text-align: center;">HRBCN</h1>	
2.0Pitch 4p HSL 线端成品 Drawing					

Drawn by (制图)	Confirmed by (审核)	Countersign by (会签)	Approved by (核准)
Tina	Miki	TXL	David