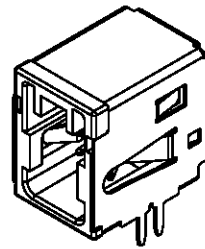


Version	Description of Change	Date	Drawn by
A2	Add dimensional tolerance 2.0±0.15	2019.08.24	王明灯
A3	Add dimensional 0.40	2020.06.16	王明灯



3D View

Notes:

Current Rating:2.5A Max.

Voltage Rating:100V.

Insulation Resistance:1000MΩ Min.

Dielectric Withstanding Voltage:500V AC

Contact Resistance:10mΩ Max.

Operating Temperature:-40? to +105?

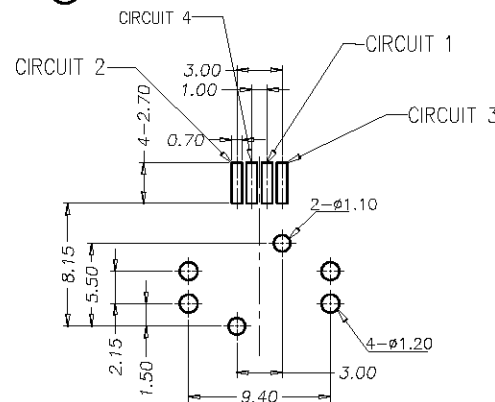
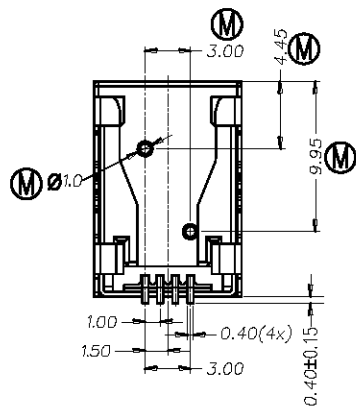
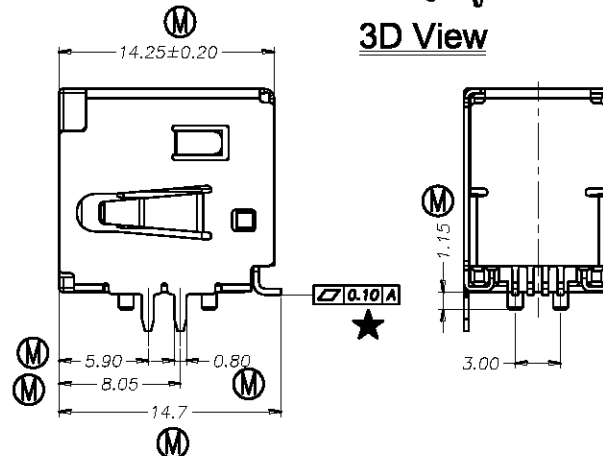
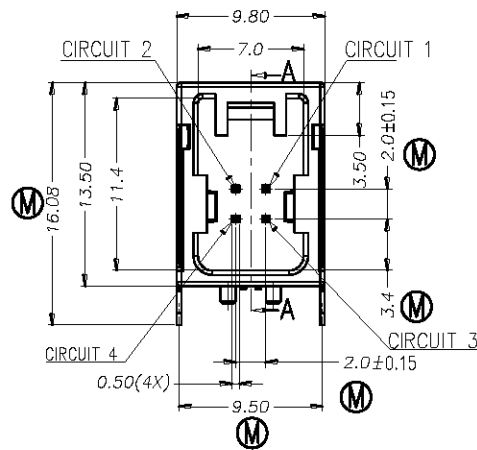
Materials:

Terminal :Copper alloy;

Housing:High Temperature Thermoplastic,

UL94V-0, Color: See Part Number

"Ⓜ" important size, "★"Special characteristic size.



PCB LAYOUT(REF)
Recommended solder paste
thickness 0.15mm

序号	1	2	3	4	5	6
图视						
类型	A	B	C	D	E	F
颜色	黑色 9005	灰色 7031	米黄色 1019	褐色 8011	蓝色 5005	绿色 6002
料号	A-M22045-4-A	A-M22045-4-B	A-M22045-4-C	A-M22045-4-D	A-M22045-4-E	A-M22045-4-F

Part number (料号)	Version (版本)	Date (日期)
A-M22045	A3	2020.06.16
Title (名称)		
2.0Pitch 2X2pin product Drawing		

UNIT:mm	
Tolerance: .XXX ±0.15 .XX ±0.25 .X ±0.35	Angular Dim. .XX° ±1° .X° ±2° .X° ±3°

HRBCN

SHEET (页面)	Drawn by (制图)	Confirmed by (审核)	Approved by (核准)
1/1	范素娟	王明灯	郑晓龙